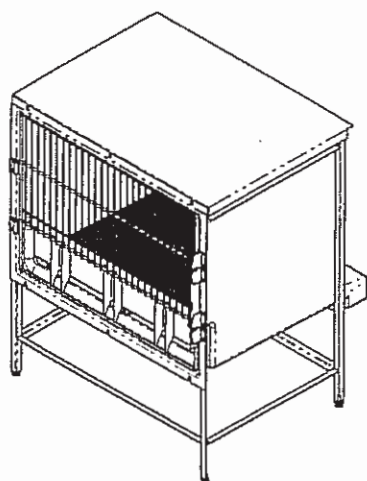
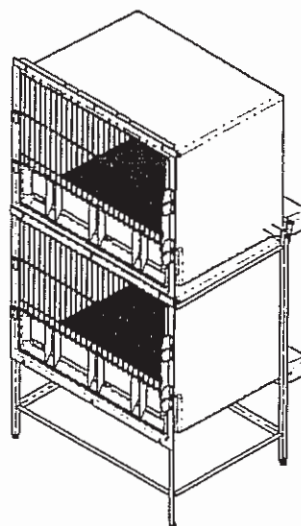


Assembly Instructions for

# Double Unit Parvo Cage



925.3931.01  
Single Unit Parvo Cage



925.2000.02  
Double Unit Parvo Cage

## Schroer Manufacturing Company

SCHROER MFG CO.

511 Osage  
Kansas City, Kansas, 66105

United States of America

Phone: 1-888-551-4064  
Fax: 1-913-281-5339

Shor-Line LTD

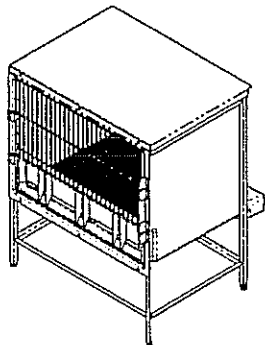
Vale Business Park  
Cowbridge, South Glamorgan CF 717 7 PF  
United Kingdom

Phone: 011-44-1446-77-2041  
Fax: 011-44-1446-77-3668

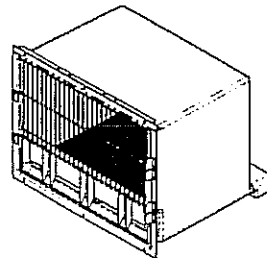
S  
H  
O  
R  
-  
L  
I  
N  
E

PARTS IDENTIFICATION

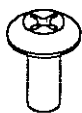
These are parts referred to in this manual:



925.3931.00



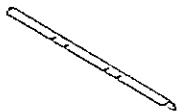
725.3630.00



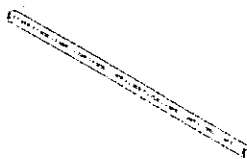
062.2507.05



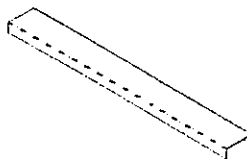
064.2500.02



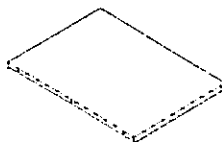
300.0741.00



300.0744.00



300.0750.00



300.0751.00



300.0865.00



300.0866.00

**California Proposition 65 Warning**



**WARNING** *This product can expose you to chemicals including chromium, which are known to the state of California to cause cancer. For more information go to: [www.P65Warnings.ca.gov](http://www.P65Warnings.ca.gov)*

©1998 For help and information CALL:

United States – Schroer Tel: 1-888-551-4064 Fax: 1-913-281-5339

United Kingdom – Shor-Line, Limited Tel: 011-44-1446-77-2041 Fax: 011-44-1446-77-3668

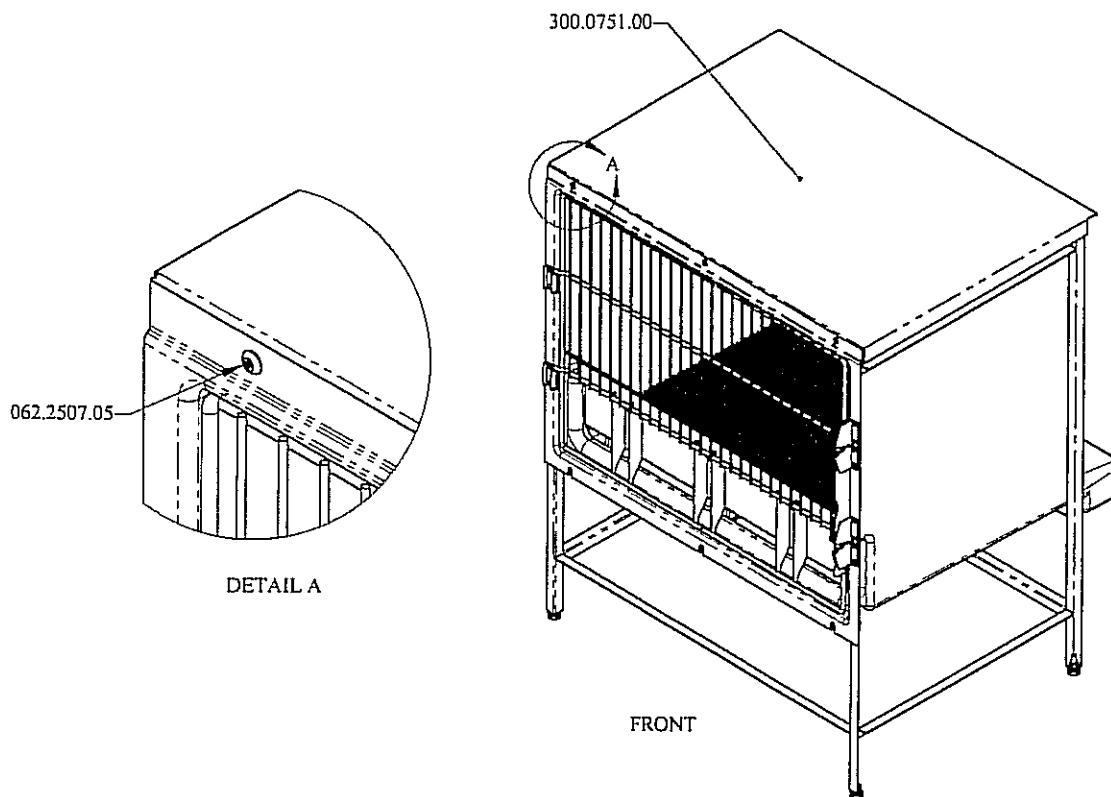


Figure 1

**ASSEMBLY STEPS:**

There are three (3) .250-20 x .750 Truss Head Phillips Screws (062.2507.05) located on the top lip of the single unit parvo cage, as shown in Detail A. Remove these with a Phillips head screwdriver and retain for future use.

Lift up on the Stainless Steel Top Cover (300.0751.00) by the sides, until the front lip of the cover is completely exposed. Then slide the top towards the back and remove. This top is not used in the double unit. This part can be discarded.

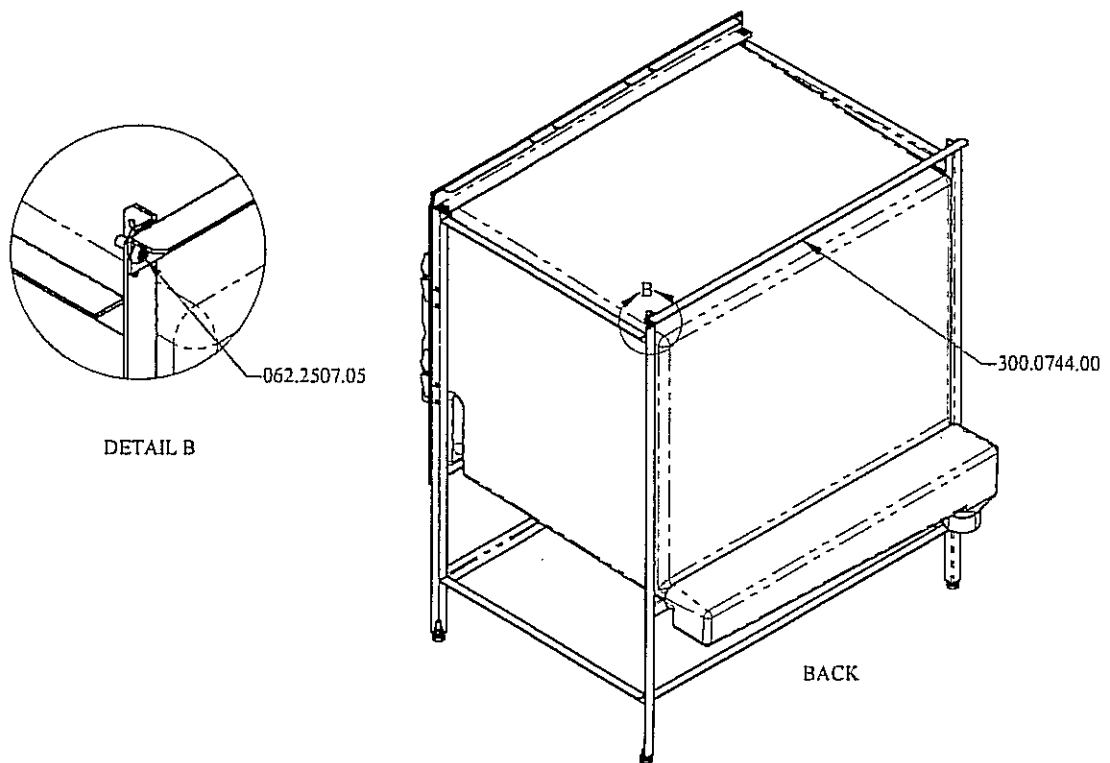


Figure 2

**ASSEMBLY STEPS:**

Remove the Horizontal Back Top Angle (300.0744.00), by using a Phillips head screwdriver to remove the two (2) .250-20 x .750 Truss Head Phillips Screws (062.2507.05), located at each end of the angle, as shown in Detail B.

Retain these parts for future use in the assembly.

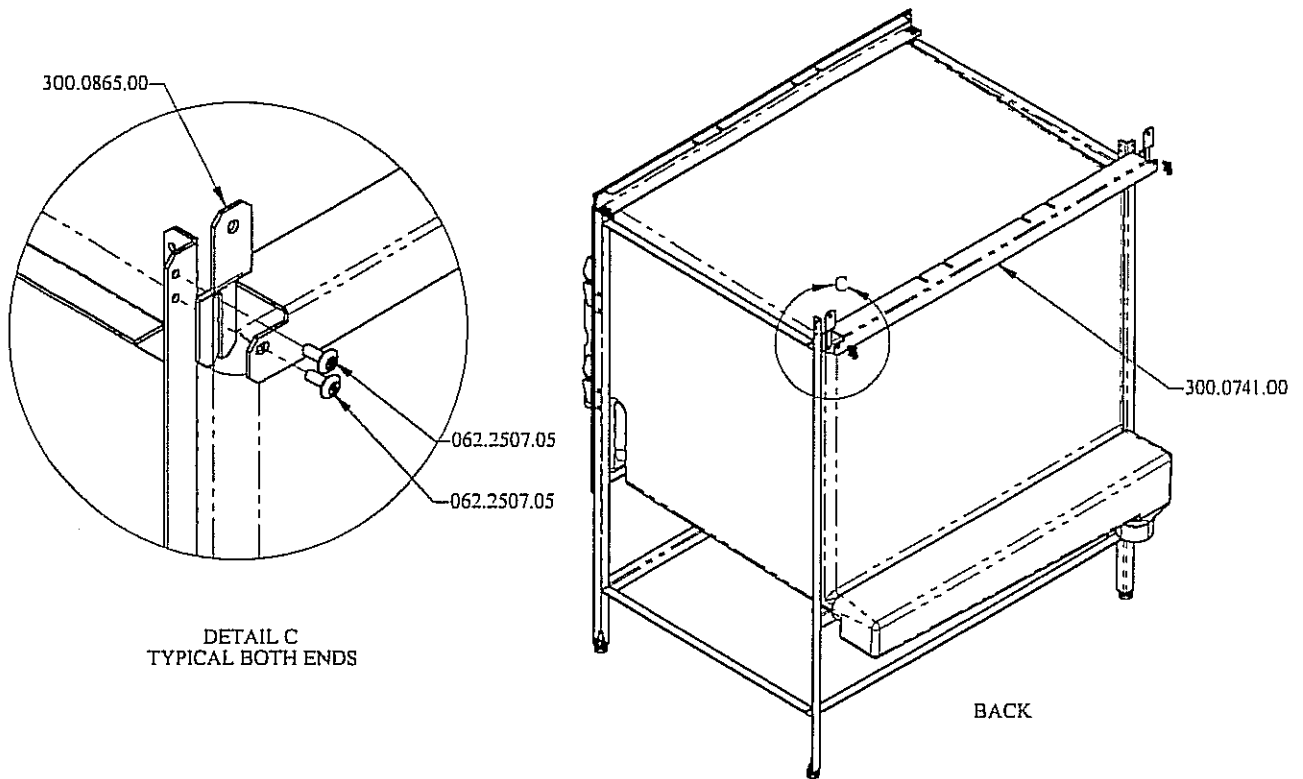
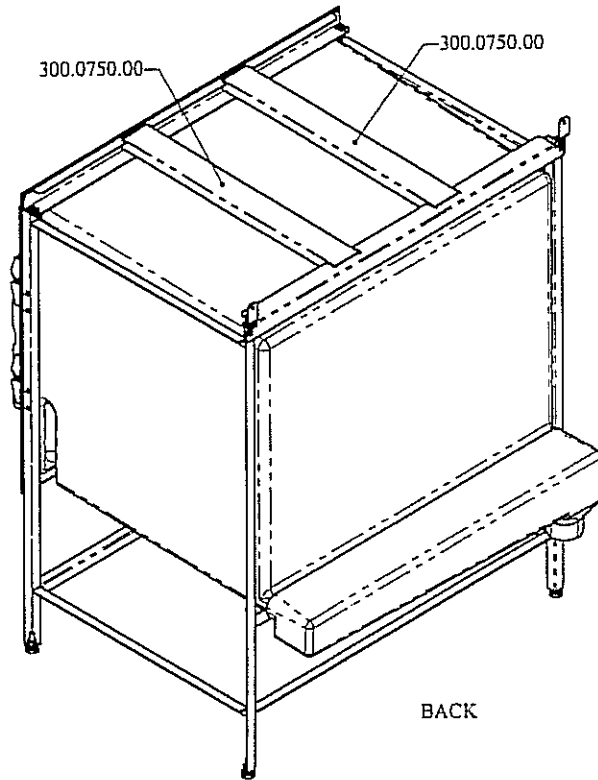


Figure 3

**ASSEMBLY STEPS:**

Using the two (2) existing .250-20 x .750 Truss Head Phillips Screws (062.2507.05) that were removed in Figure 2. Place one (1) each through each slot, located on each end of the Top Cage Channel-Back Support (300.0741.00). Then start each of these screws in the lower holes of the frame, as shown in Detail C. **Do not** tighten at this time.

Slide one (1) Upper Parvo Tie Down Clip (300.0865.00) between the Top Cage Channel and the frame with part in upright position as shown. Place one (1) .250-20 x .750 Truss Head Phillips Screw (062.2507.05) through the slot and into the frame as shown. **Do not** tighten at this time. Repeat for other end.



---

Figure 4

**ASSEMBLY STEPS:**

Place two (2) Support Channels (300.0750.00) down in slots of the front and back supports, as indicated in Figure 4.

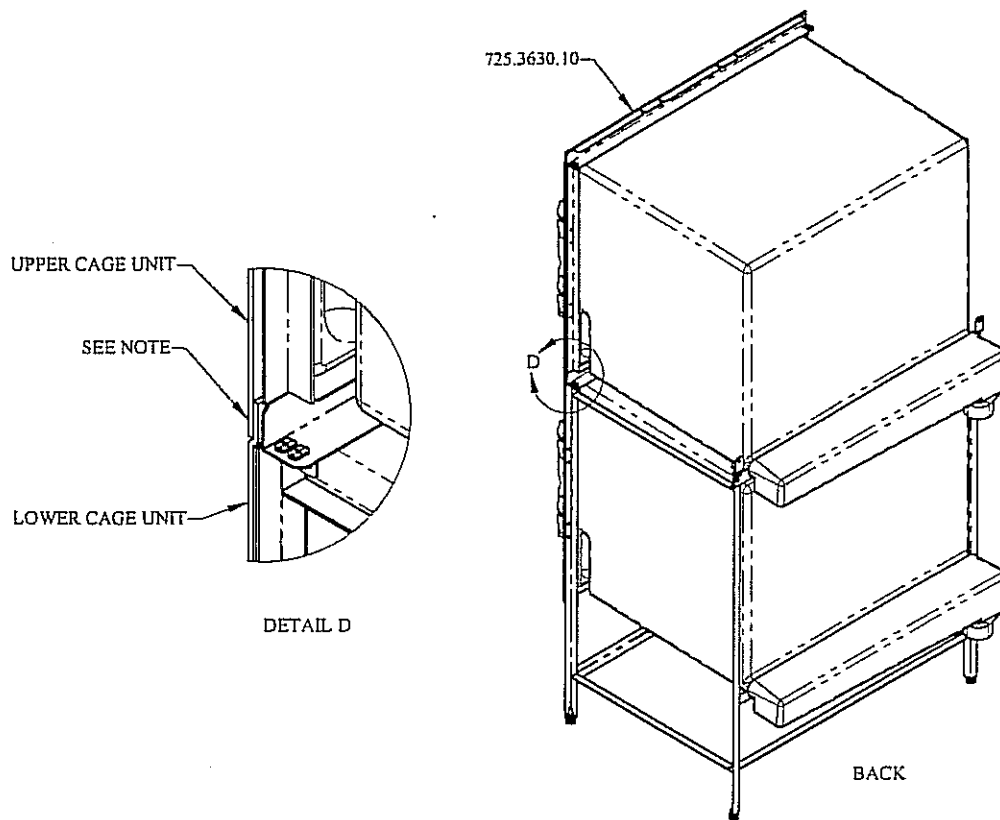


Figure 5

**ASSEMBLY STEPS:**

By using more than one person, place the Upper Cage Unit (725.3630.10), on top of Lower Cage Unit, as shown in Figure 5.

**NOTE:** Bottom lip of Upper Cage Unit should be in front of upper lip of Lower Cage Unit, and set flush side to side, as indicated in Detail D.

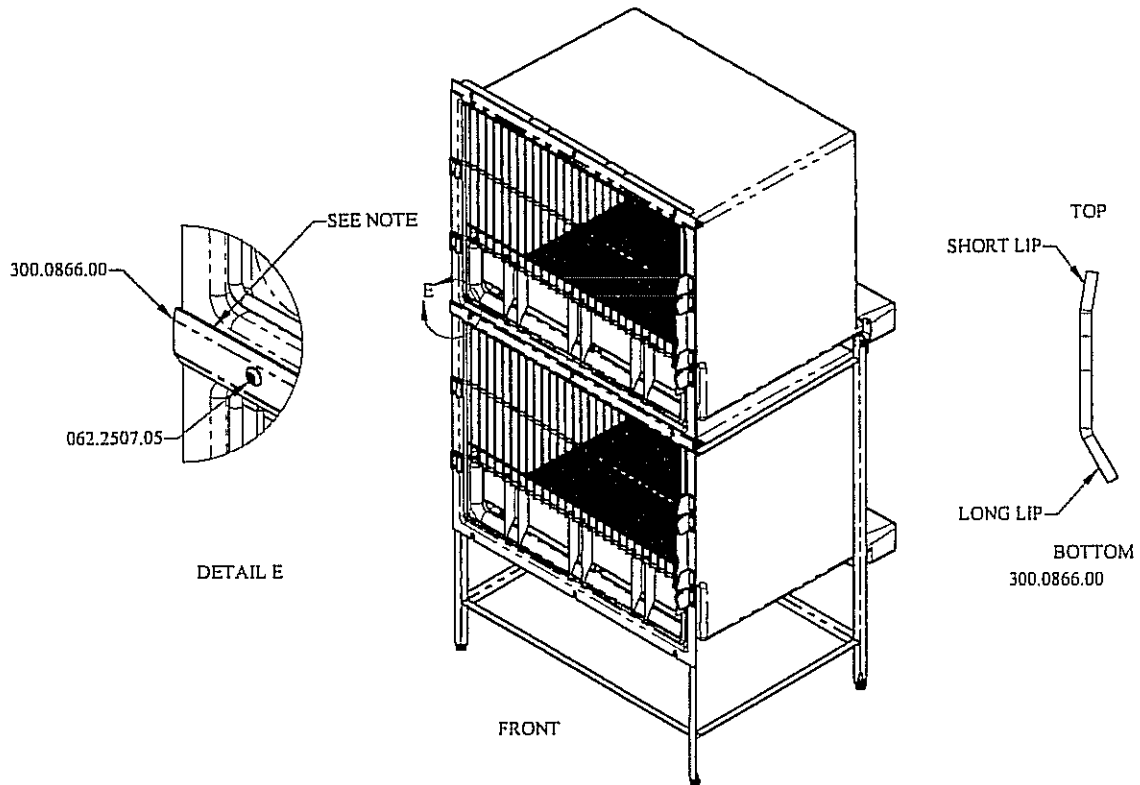


Figure 6

**ASSEMBLY STEPS:**

By using the existing three (3) .250-20 x .750 Truss Head Phillips Screws (062.2507.05) removed in Figure 1 and one (1) Horizontal Trim (300.0866.00), assemble as shown. Trim should be oriented as shown in side view of Horizontal Trim (300.0866.00).

Each screw should go through the Horizontal Trim and bottom slots of upper cage unit, and into the same holes in which they were removed, as shown in Detail C. Tighten each screw.

NOTE: At the customers' discretion, caulking may be placed across the top part of the Horizontal Trim, to prevent contaminants from entering this area.



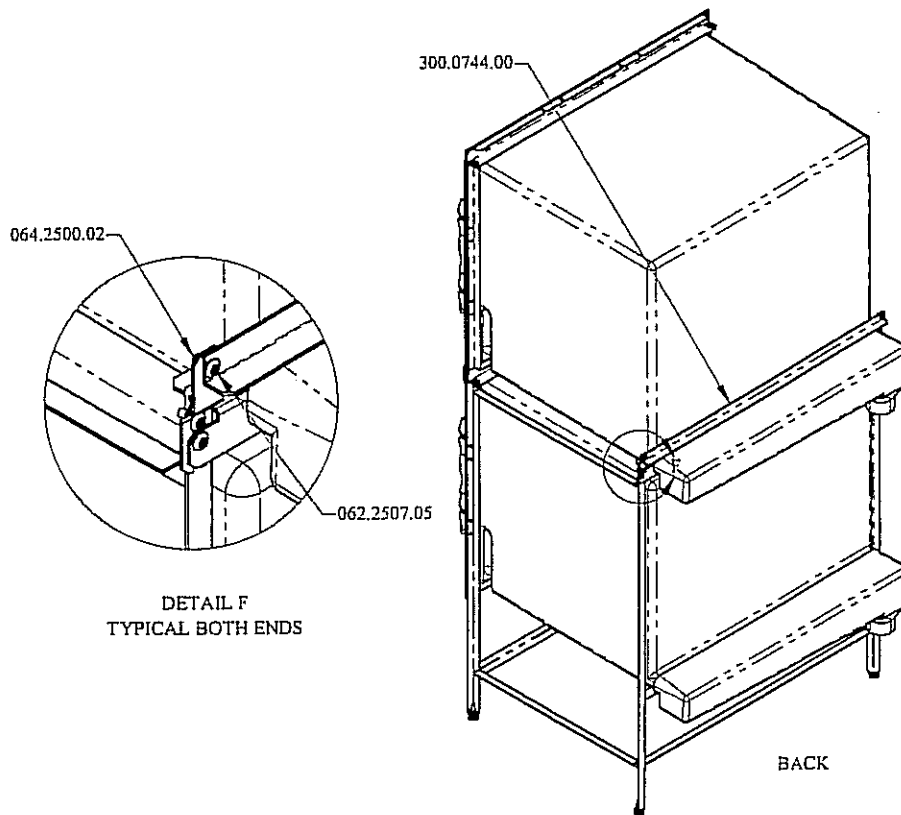


Figure 7

**ASSEMBLY STEPS:**

Using the existing Horizontal Back Top Angle (300.0744.00), that was removed in Figure 1, place one (1) .250-20 x .750 Truss Head Phillips Screw (062.2507.05) and one (1) .250-20 Hex Nylock Nut (064.2500.02) through the hole located on the end of the part, through the hole located on the Upper Parvo Tie Down Clip (300.0865.00), as shown in Detail F. Repeat for other end.

By pushing the angle down, tighten all screws that are located on each end of the angle, for a secure hold.

Assembly of the Double Unit Parvo Cage is now finished.