



A supplement for:
Fetch Pole

SHOR-LINE
SCHROER MFG. CO.

⚠WARNING This product is for animal use only. We do not condone this product for other uses.

{Save This Supplement For Future Reference}

PN: 006.9180.01
Updated: 09.16.14

SHORLINE®

When ordering parts, please specify length of pole.

#918.0002.03 - 3 Ft.

#918.0002.04 - 4 Ft.

#918.0002.05 - 5 Ft.

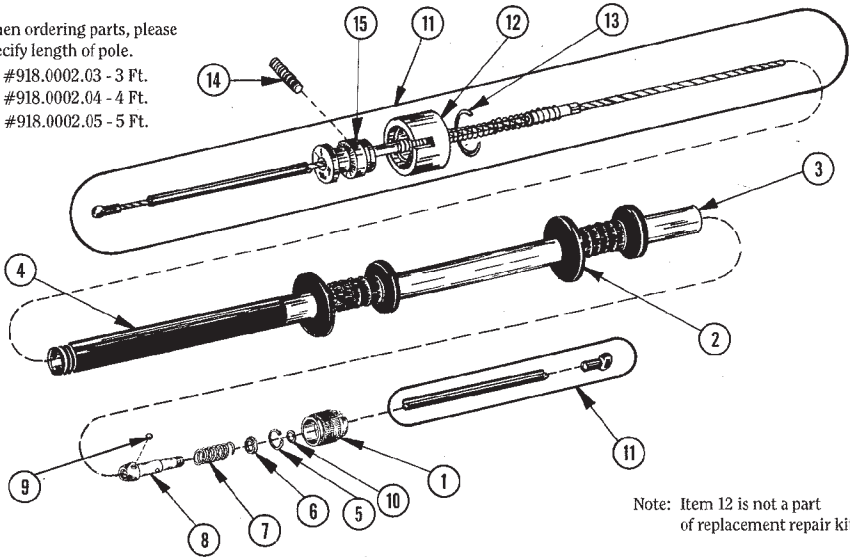


Fig. 2 FETCH POLE ASSEMBLY

Note: Item 12 is not a part of replacement repair kit.

ITEM NO.	QTY.	PART NO.	DESCRIPTION
1	1	39299015	Release Knob
2	2	39299020	Hand Grips
3	1	39299033	3 Ft. Pole Outer Assembly
	1	39300033	4 Ft. Pole Outer Assembly
	1	39301033	5 Ft. Pole Outer Assembly
4	1	39299019	Tooth Guard
5	1	068.7500.00	Cage Lock Ring
6	1	39299010	Step Washer
7	1	39299009	Compression Spring
8	1	39299012	Cage
9	3	071.0001.00	9/32 Ball Bearing
10	1	065.1200.00	#12 Split Lockwasher Pltd.
11	1	818.0002.03	3 Ft. Cable Replacement Kit
	1	818.0002.04	4 Ft. Cable Replacement Kit
	1	818.0002.05	5 Ft. Cable Replacement Kit
12	1	39299017	Collar
13	1	39299021	Chuck Ring Ext. Pole
14	1	062.0603.12	#6-32X $\frac{3}{8}$ Hex Soc Set Screw Pltd.
15	1	39299016	Head Piston

NOTE: Item No. 11 is a replacement kit only used to replace worn out cables.

Fig. 3 FETCH POLE PARTS LIST FOR ASSEMBLY

California Proposition 65 Warning



WARNING This product can expose you to chemicals including chromium, which are known to the state of California to cause cancer. For more information go to: www.P65Warnings.ca.gov



CABLE REPLACEMENT KIT:

DISSAMBLY:

NOTE: If you own a current model Fetch Pole and your cable is worn, you will need to cut off the crimped ball from the end of your cable near release knob before disassembly. Older models do not have a crimped ball on the end of cable. Please remove parts in the following number sequence shown on figure 2.

- 1) Remove large lock ring #13 in back of collar #12. Push back on both ends of ring to remove.
- 2) Pull collar #12 back off over tooth guard #4 to expose the #6-32x $\frac{3}{8}$ set screw #14, and remove set screw from head of piston with allen wrench supplied in bag. Note: not to misplace set screw.
- 3) Screw head of piston, which is connected to cable away from pole. (right hand thread).
- 4) When head of piston is free from tubing, go to handle end of pole with release knob.
- 5) Pull back release knob #1, and turn until hole in tubing #3 lines up with the hole in cage #8.

- 6) Inset ice pick, nail or allen wrench through holes to hold locking device from turning.
- 7) Once aligned, turn release knob #1 counter clockwise. (right hand thread), until free from pole. Then proceed with removing lock washer #10.

Note: Please take caution when releasing locking device, this section is spring loaded and when released may spring out of pole.

- 8) Start removing locking device with lock ring #5. To remove ring you will need internal snap ring pliers. Insert stems on pliers into holes in ring and squeeze pliers removing ring from pole while taking caution of spring releasing.
- 9) Proceed with removing step washer #6, Spring #7, cage #8, and ball bearings #9 from cage. Caution: When removing cage take note that ball bearings may fall out.

TO INSTALL NEW CABLE KIT

ASSEMBLY:

Note: Please install parts in following number sequence.

- 1) Re-install new cable kit with crimped ball #11 through pole #3, add collar #12, and large ring #13 as shown in figure 2.
- 2) Re-screw head piston on to pole, and insert set screw #14 back into head piston (Note: make sure hole in pole lines up with hole in head piston). Place cable with crimped ball into groove or slot of collar #12 by making a large loop. Pull collar #12 over head Piston and snap large ring #13 underneath collar #12 around Fetch Pole snare securing noose end of pole.
- 3) Re-install locking device first by installing ball bearings #9 into cage #8. Drop cage with ball bearings down into pole so that screw end of cage faces up. Proceed by loading the following parts in sequence, spring #7, step washer #6, with edge of washer fitting inside of spring, cage lock ring #5 (Note: This is where pliers are needed in order to compress spring enough to fit lock ring within pole locking previous section in place), split lock washer #10, release knob #1 (Note: Align holes of pole and cage while inserting ice pick, nail or allen wrench through holes to hold locking device while you turn release knob and tighten.) Place 5 inch plastic tubing on handle end of cable. Crimp ball on the end of cable #11 to protect user from free wire abrasion.



FETCH POLE WARRANTY

Shor-Line warrants to the customer (CUSTOMER) who originally purchased the equipment (EQUIPMENT) with which this warranty card is enclosed that the EQUIPMENT shall be free from defects in material, workmanship and manufacturer's defects for a period of 1 year from date of receipt of EQUIPMENT.

Shor-Line agrees to either repair or replace, at its option, any of the EQUIPMENT or portion thereof which is defective and fails to meet the foregoing warranties (DEFECTIVE EQUIPMENT). If any EQUIPMENT needs warranty service hereunder, the CUSTOMER should contact the Customer Service Department of Shor-Line at 1-800-444-1579. (In Europe, contact Shor-Line, Ltd., Unit 39A & 39B, Llandow Industrial Estate, Cowbridge, South Glamorgan CF77YY, United Kingdom. Phone 011-44-1446-77-5505, Fax 011-44-1446-77-3668.)

Some states do not allow limitations on how long an implied warranty lasts, and some states do not allow the

exclusion or limitation of incidental or consequential damages, and exclusion of implied warranties may not be legally enforceable, so that above limitations or exclusions may not apply to you. This warranty gives you specific legal rights and you may have other rights which vary from state to state.

These warranties apply only to the EQUIPMENT which has been sold by or through authorized Shor-Line distributors and do not cover the EQUIPMENT when subject to misuse or accidental damage.

EXCEPT AS EXPRESSLY PROVIDED HEREIN, SHOR-LINE MAKES NO WARRANTIES, EXPRESS OR IMPLIED, INCLUDING WITHOUT LIMITATION WARRANTIES OF MERCHANTABILITY AND FITNESS FOR A PARTICULAR PURPOSE.

GUARANTEE OF SATISFACTION

If you are not fully satisfied with the quality or workmanship of this Shor-Line product, we will arrange for a refund or replacement.

SHOR-LINE must be notified of the customer's intent within 10 days of customer's receipt of merchandise, by calling toll-free 1-800-444-1579 (in Europe call 011-44-1446-77-5505). Proof of purchase and date of merchandise is required before replacement or credit will be issued.

Product must be properly repacked in its original containers to avoid damage and to qualify for full credit or replacement.

This **Guarantee of Satisfaction** does not include your installation, the cost of installation, removal or reinstallation.

