

Classic Surgery Table Table Base Caster Kit

Guide Supplement: 006.8030.03 v20220915

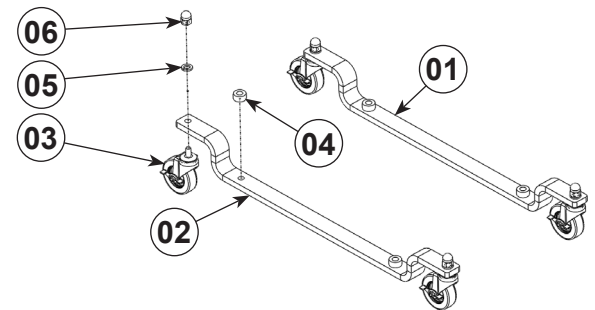
SHOR-LINE

now a part of midmark

Table Base Caster Kit - Installation

The Caster Base Kit includes two casters mounted to a stainless steel bar. When mounted to the Classic Surgery Table it will convert the table to a mobile unit.

Two heavy-duty caster assemblies are easily attached to the surgery table base using the existing leveling screws. The assembly raises the table height approximately one inch from the floor. All four casters are equipped with wheel locks to help prevent table movement.



Surgery Table Caster Kit

Item	Part #	Description
01	803.0002.00	Caster Kit - Classic Surgery Table
02	• 331.0417.00	• Strap, Caster Bar
03	• 086.2500.11	• 2.5\"/>
04	• 310.1019.00	• AL Spacer 1/2\"/>
05	• 065.5000.10	• 1/2\"/>
06	• 064.5000.04	• 1/2\"/>

WARNING Enlist help and USE SAFE LIFTING PRACTICES during assembly, installation and while moving equipment.

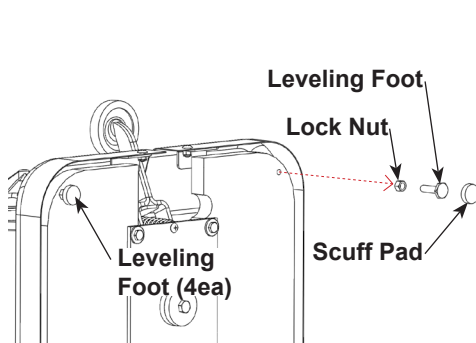
CAUTION Keep hands clear of possible pinch areas during installation, which if not avoided, could result in MINOR to MODERATE INJURY.

Stainless steel has sharp edges, stay clear of and DO NOT TOUCH exposed edges which, if not avoided, could result in MINOR to MODERATE INJURY.

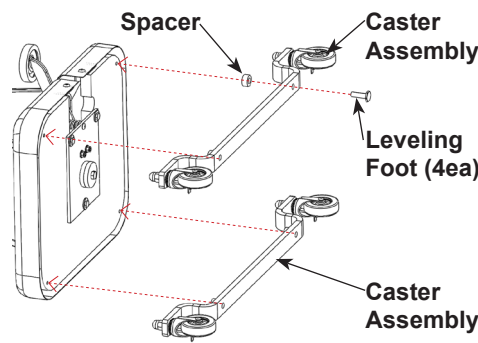
NOTICE

The table is intended to be used for animals only. Do NOT use for anything other than the intended purpose. Do NOT lift or move the table by the table top. Move the table by the base using enough personnel and safe lifting requirements.

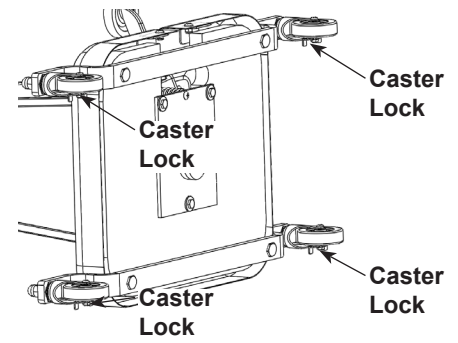
Always ensure the caster brakes are engaged when the table is in use. Do NOT move the table while occupied with a patient.



Leveling Feet Removal



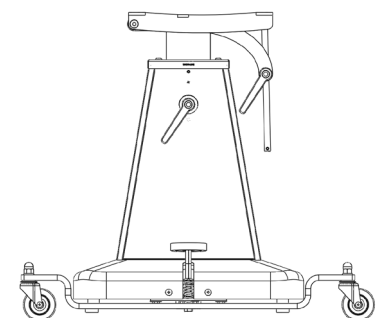
Caster Assembly Installation



Caster Locks

Installation requires carefully lowering the table onto its side. Ensure to protect table edges and the floor surface during the installation procedures.

- STEP 1:** Lower the table onto its side to access the adjustable feet.
- STEP 2:** Remove the four leveling feet, lock nuts, and the scuff pads. Store the lock nuts and scuff pads for future use if the caster kit is removed.
- STEP 3:** Using the adjustable feet (lock nuts removed), align and secure the Caster Strap with spacers between the Caster Strap and the Table Base.
- STEP 4:** Lock the caster by engaging the caster brake lever to help prevent unintentional movement.
- STEP 5:** Carefully lift the table back into position.



Platform Attachment

WARNING California Proposition 65 Warning - This product can expose you to chemicals including nickel (metallic), which are known to the state of California to cause cancer. For more information go to: www.P65Warnings.ca.gov